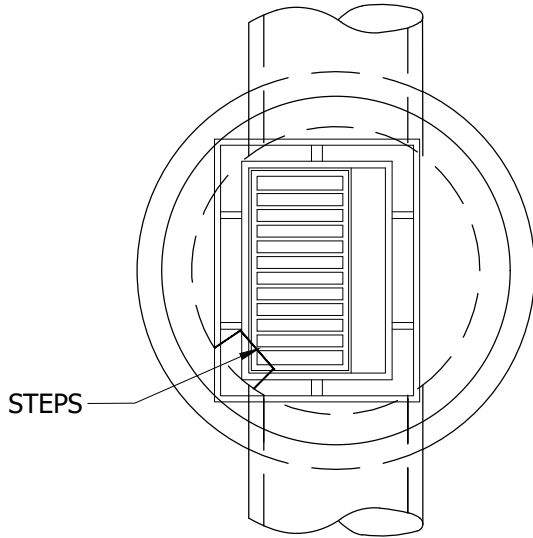


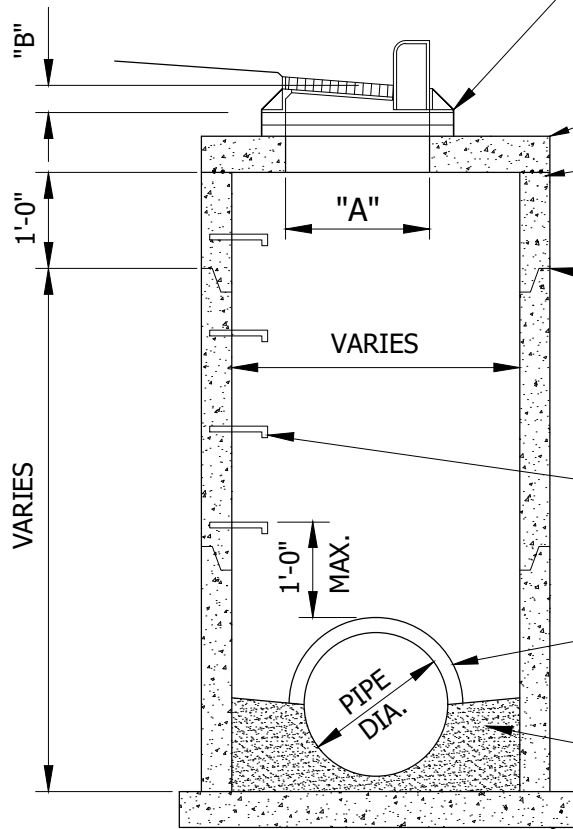
CASTING	A	B
R-3290-VB (IN CURB)	2'x3'	4"
R-3382 (IN VALLEY GUTTER)	2'x3'	4"

DIMENSION FROM BACK OF CURB TO CENTER OF PIPE.

- 4' DIA. MH - 9" IN FROM BACK OF CURB
- 5' DIA. MH - 3" IN FROM BACK OF CURB
- 6' DIA. MH - 3" BEHIND BACK OF CURB
- 7' DIA. MH - 9" BEHIND BACK OF CURB
- 8' DIA. MH - 15' BEHIND BACK OF CURB



PLAN



SECTION

MIN. OF 2, MAX. OF 6 HDPE ADJUSTMENT RINGS. MAXIMUM 19" ADJUSTMENT, RINGS AND CASTING.  
 INSTALL I&I BARRIER. EXTERIOR SEAL CONSISTS OF INFI-SHIELD UNI-BAND OR ENGINEER APPROVED EQUAL.

PRECAST REINFORCED CONCRETE SLAB.

SEAL WITH 2 BEADS OF RAM-NEK

PRECAST CONCRETE MANHOLE SECTIONS PER ASTM C478. ALL JOINTS IN MANHOLE TO HAVE A MINIMUM 1 LAYER OF GATOR OR ENGINEER APPROVED EQUAL AND AN "O" RING RUBBER GASKETS PER ASTM C443.

MANHOLE STEPS, COPOLYMER POLYPROPYLENE PLASTIC, WITH 1/2" GRADE 60 STEEL REINFORCEMENT OR EQUAL, 16" ON CENTER.

CUT PIPE 2" INSIDE FACE OF WALL. GROUT DOGHOUSES INSIDE & OUTSIDE PER MnDOT 2506.2B2.

POUR CONCRETE INVERT TO SPRINGLINE OF PIPE & SLOPE 2"/FT. TOWARD PIPE.

PRECAST CONCRETE BASE



**TYPE II  
CATCHBASIN MANHOLE**

LAST REVISION:  
JAN 2021

PLATE NO.  
STO-5