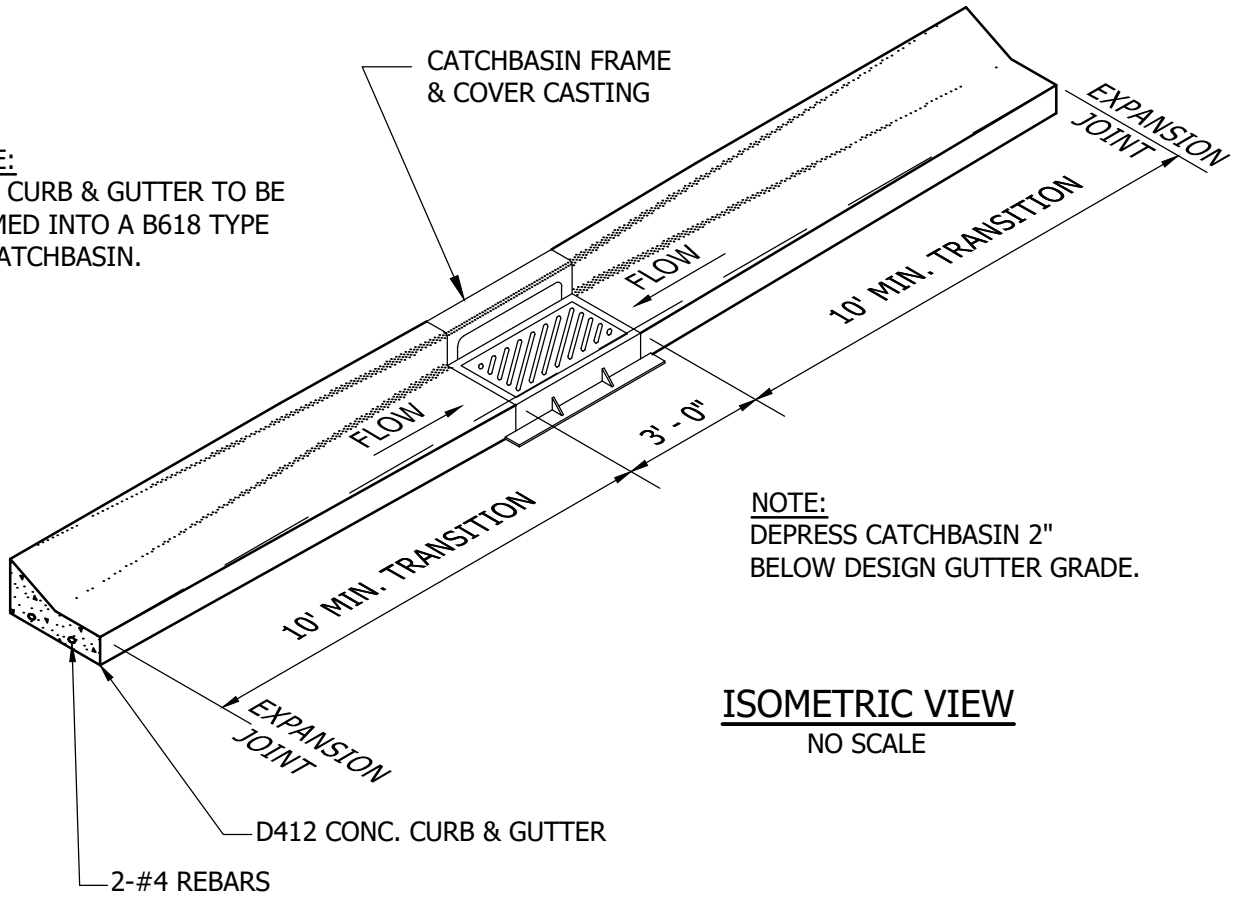
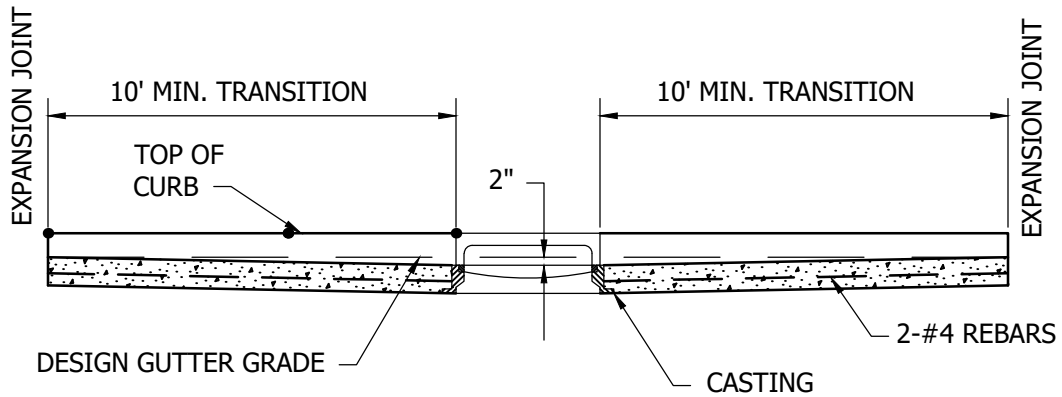


NOTE:
D412 CURB & GUTTER TO BE FORMED INTO A B618 TYPE AT CATCHBASIN.



NOTE:
DEPRESS CATCHBASIN 2" BELOW DESIGN GUTTER GRADE.

ISOMETRIC VIEW
NO SCALE



ELEVATION VIEW
NO SCALE



D412 CURB & GUTTER CONSTRUCTION AT CATCHBASIN

LAST REVISION:
JAN 2019

PLATE NO.
STR-7