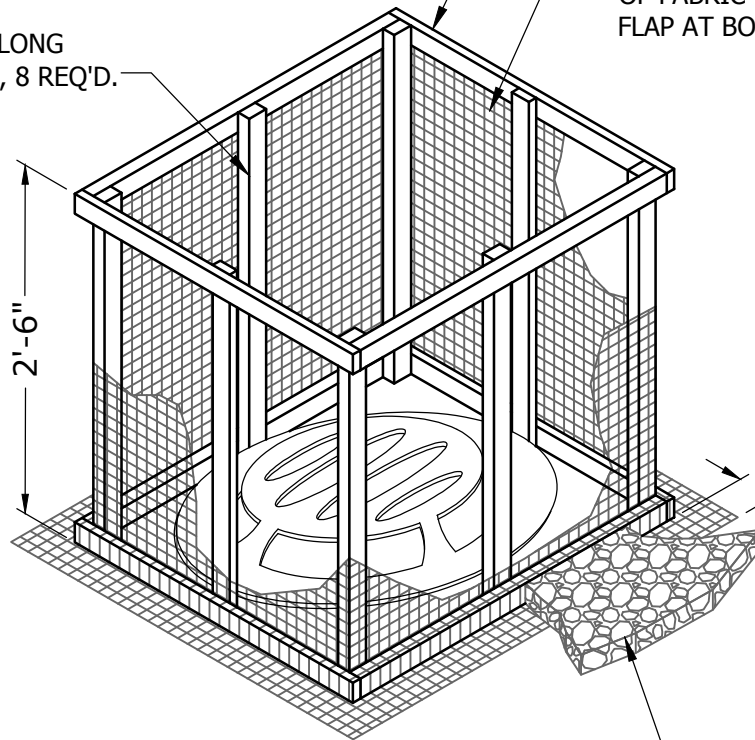


WOODEN LATH SHALL BE NAILED SECURELY TO THE POST MEMBER TO SECURE FILTER FABRIC.

2" X 4" HORIZONTAL MEMBERS CONTINUOUS AROUND TOP AND BOTTOM. FASTENED TO EACH POST USING 2-20D COMMON NAILS

MONOFILAMENT GEOTEXTILE FABRIC AS PER MNDOT TABLE 3886-1 (MS, HI WOVEN GEOTEXTILE.) ADDITIONAL 8-10" OF FABRIC FLAP AT BOTTOM OF BOX

2" X 4" X 2.5' LONG WOOD POSTS, 8 REQ'D.



8-10" FABRIC FLAP EXTENDING BEYOND BOTTOM 2"x 4" - BURY UNDER ROCK TO PREVENT UNDERWASHING.

1 1/2" WASHED ROCK
1' DEEP X 1' WIDE

NOTES:

-CONTRACTOR SHALL CONSTRUCT SILT BOX TO FIT AROUND THE INLET STRUCTURE WITH 6" MINIMUM CLEARANCE TO EDGES OF STRUCTURE.

-SILT BOX TO BE PLACED ON AN EVEN SURFACE 6" BELOW STRUCTURE OPENING.

-TOP OF SILT BOX TO EXTEND 18" MINIMUM ABOVE EXISTING GRADE.



**INLET PROTECTION, TYPE B
SILT BOX - YARD**

LAST REVISION:
JAN 2015

PLATE NO.
ERO-12